

Throwdown Registration



Photo

Competitor: _____ No.: _____

Work place: _____

How long have you being a barista/latte art?

What is your favourite latte art pattern?

What is your relationship status?

Who is your favourite idol? Why?

(* Doesn't need to be coffee related)

C
U
T

H
E
R
E

Throwdown score sheet



Competitor: _____

Competitor No. : _____

Visual quality of foam

0 1 2 3 4 5 6

Contrast between ingredients

0 1 2 3 4 5 6

Harmony, size, and position in the cups

0 1 2 3 4 5 6

Successfully achieved

0 1 2 3 4 5 6

Overall appealing look

0 1 2 3 4 5 6

Acceptable milk waste at end

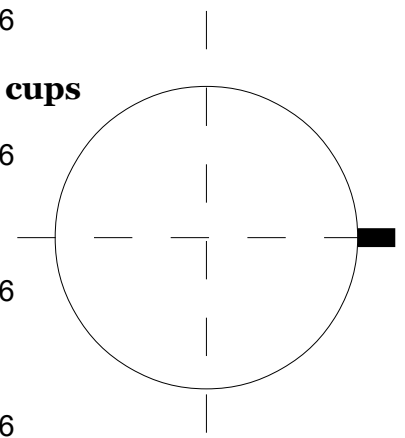
Yes / No

Total: ___ ___/31

Comment

Unacceptable = 0 Acceptable = 1 Average = 2 Good = 3
Very Good = 4 Excellent = 5 Extraordinary = 6

Yes = 1 No = 0



Throwdown score sheet



Competitor: _____

Competitor No. : _____

Visual quality of foam

0 1 2 3 4 5 6

Contrast between ingredients

0 1 2 3 4 5 6

Harmony, size, and position in the cups

0 1 2 3 4 5 6

Successfully achieved

0 1 2 3 4 5 6

Overall appealing look

0 1 2 3 4 5 6

Acceptable milk waste at end

Yes / No

Total: __ __/31

Comment

Unacceptable = 0 Acceptable = 1 Average = 2 Good = 3
Very Good = 4 Excellent = 5 Extraordinary = 6

Yes = 1 No = 0

Throwdown score sheet



Competitor: _____

Competitor No. : _____

Visual quality of foam

0 1 2 3 4 5 6

Contrast between ingredients

0 1 2 3 4 5 6

Harmony, size, and position in the cups

0 1 2 3 4 5 6

Successfully achieved

0 1 2 3 4 5 6

Overall appealing look

0 1 2 3 4 5 6

Acceptable milk waste at end

Yes / No

Total: __ __/31

Comment

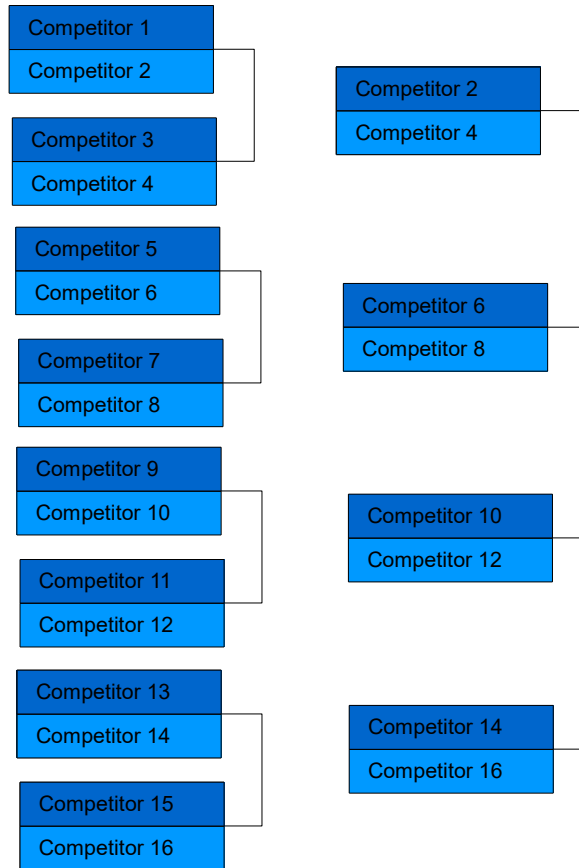
Unacceptable = 0 Acceptable = 1 Average = 2 Good = 3
Very Good = 4 Excellent = 5 Extraordinary = 6

Yes = 1 No = 0

Round ONE- Qualifying top 16 – Score board

Rank	Name	Score
1		
2		
3		
4		
5		
6		
7		
8		
9		
10		
11		
12		
13		
14		
15		
16		
17		
18		
19		
20		
21		
22		
23		
24		
25		
26		
27		
28		
29		
30		

Round TWO – Top 16 Ladder board



Round THREE – Score board

Rank	Name	Score
1		
2		
3		
4		